

Алматы (7273)495-231
Ангарск (3955)60-70-56
Архангельск (8182)63-90-72
Астрахань (8512)99-46-04
Барнаул (3852)73-04-60
Белгород (4722)40-23-64
Благовещенск (4162)22-76-07
Брянск (4832)59-03-52
Владивосток (423)249-28-31
Владикавказ (8672)28-90-48
Владимир (4922)49-43-18
Волгоград (844)278-03-48
Вологда (8172)26-41-59
Воронеж (473)204-51-73
Екатеринбург (343)384-55-89

Иваново (4932)77-34-06
Ижевск (3412)26-03-58
Иркутск (395)279-98-46
Казань (843)206-01-48
Калининград (4012)72-03-81
Калуга (4842)92-23-67
Кемерово (3842)65-04-62
Киров (8332)68-02-04
Коломна (4966)23-41-49
Кострома (4942)77-07-48
Краснодар (861)203-40-90
Красноярск (391)204-63-61
Курск (4712)77-13-04
Курган (3522)50-90-47
Липецк (4742)52-20-81

Магнитогорск (3519)55-03-13
Москва (495)268-04-70
Мурманск (8152)59-64-93
Набережные Челны (8552)20-53-41
Нижний Новгород (831)429-08-12
Новокузнецк (3843)20-46-81
Ноябрьск (3496)41-32-12
Новосибирск (383)227-86-73
Омск (3812)21-46-40
Орел (4862)44-53-42
Оренбург (3532)37-68-04
Пенза (8412)22-31-16
Петрозаводск (8142)55-98-37
Псков (8112)59-10-37
Пермь (342)205-81-47

Ростов-на-Дону (863)308-18-15
Рязань (4912)46-61-64
Самара (846)206-03-16
Санкт-Петербург (812)309-46-40
Саратов (845)249-38-78
Севастополь (8692)22-31-93
Саранск (8342)22-96-24
Симферополь (3652)67-13-56
Смоленск (4812)29-41-54
Сочи (862)225-72-31
Ставрополь (8652)20-65-13
Сургут (3462)77-98-35
Сыктывкар (8212)25-95-17
Тамбов (4752)50-40-97
Тверь (4822)63-31-35

Тольятти (8482)63-91-07
Томск (3822)98-41-53
Тула (4872)33-79-87
Тюмень (3452)66-21-18
Ульяновск (8422)24-23-59
Улан-Удэ (3012)59-97-51
Уфа (347)229-48-12
Хабаровск (4212)92-98-04
Чебоксары (8352)28-53-07
Челябинск (351)202-03-61
Череповец (8202)49-02-64
Чита (3022)38-34-83
Якутск (4112)23-90-97
Ярославль (4852)69-52-93

Россия +7(495)268-04-70

Казахстан +7(7172)727-132

Киргизия +996(312)96-26-47

<https://irinox.nt-rt.ru> || ixo@nt-rt.ru

HYGIENIC LINE

A RANGE DESIGNED TO BE HYGIENIC

MODELS ADH - APH - EKOH - AZH - EKOPH

CLEAN LINES AND TOP QUALITY

IRINOX conceived and developed the new HYGIENIC LINE with a design that facilitates cleaning operations, especially for sectors that require high hygienic standards.

A LINE WITH HYGIENE CERTIFICATION

MODELS EKO.HY - AS.HY

Why a hygiene-certified line?

The IRINOX hygiene-certified line was created to meet European regulations demanding that the handling, preparation, processing and packaging of food and any products that require contamination-free environments must be done using specific machinery in specially designed hygienic sites.

When an electrical enclosure is installed within a production line in which there may be direct contact with food or drugs, it must be made from compliant materials and be easy to clean.

- 128 TERMINAL BOX
MODEL ADH
- 130 PUSH BUTTON BOX
MODEL APH
- 132 ENCLOSURE WITH SLOPING
TOP AND RECESSED DOOR
MODEL EKOH
- 134 MODULAR CABINET
MODEL AZH
- 136 HYGIENIC HANGING
CONTROL UNIT
MODEL EKOPH
- 138 HYGIENE-CERTIFIED
ENCLOSURE
MODEL EKO.HY
- 140 HYGIENE-CERTIFIED
COMPACT CABINET
MODEL AS.HY
- 142 ACCESSORIES

TECHNICAL BENEFITS

Innovative design compliant with EHEDG guidelines.

Enclosure back and cabinet backs entirely flat and without cavities.

FDA-approved removable outer silicone seal.

New-generation hygienic closures in stainless steel with outer seal.

CERTIFICATIONS



_ EN 1672-2



IP66 IK07 _ EN 62208
IP69K _ ISO 20653



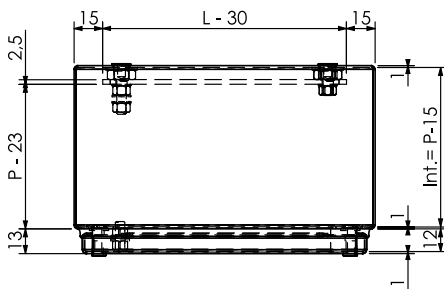
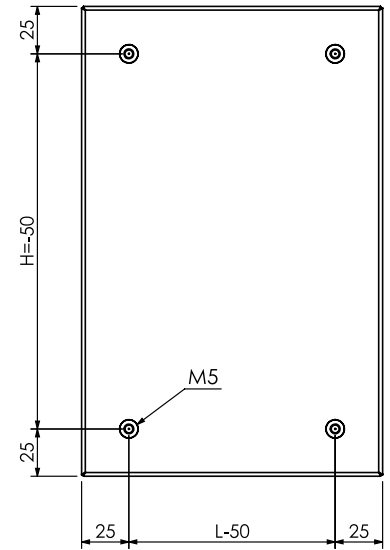
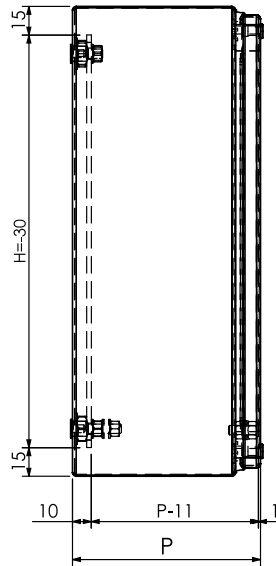
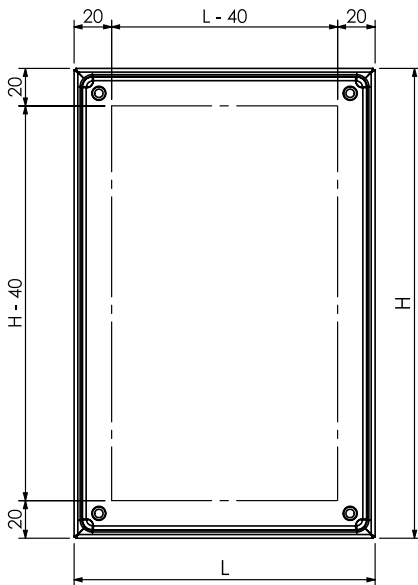
N° file E231227

UL TYPE 1,12,4,4X
UL 508A C22.2 No. 14-13



TERMINAL BOX ADH

Terminal box in AISI 304L (Wnr 1.4307) stainless steel, ideal for use in sectors requiring high standards of hygiene due to the profile design developed for easy cleaning. Blind screw-on cover featuring "clip-on" silicone seal, FDA approved. 25/10 FeZn internal plate. IP66 protection rating. IP67, IP69K and UL also available on request.



L = W (width)
H = H (height)
P = D (depth)

CERTIFICATIONS

As standard	IP66
On request	IP67 - IP69K - Atex 3GD - Atex 2GD - UKCA Ex UL/CSA

TECHNICAL DETAILS

Minimum dimensions	W= 80 H= 80 D= 60 mm
Maximum dimensions	W= 400 H= 400 D= 200 mm
Dimensional pitch	10 mm
Door drilling reference	W- 40 mm H- 40 mm
Internal plate	Can be applied when at least one side is greater than 100 mm W- 30 mm H- 15 mm for enclosures with one side < 100 mm (2 M5 bushes) W- 30 H- 30 mm for enclosures with sides > 100 mm (4 M5 bushes)
Usable depth	D- 11 mm
Centre-to-centre distance for securing enclosure	H- 30 mm up to short side 100 mm (2 M5 bushes) H- 50 mm for models with sides > 100 mm (4 M5 bushes)

TECHNICAL DESCRIPTION

Type of steel	AISI 304L (Wnr 1.4307) Scotch-brite
Cover spacers	The cover has a thickness of 10/10 when WxH is below 80,000 mm ² ; beyond this size the thickness is 12/10.
Cover	Blind
Cover opening	Detachable
Closing system	Screwed-on, M5*
Cover thickness	1 mm
Rear fastenings	M5 bushes
Internal plate	25/10 FeZn
Seal	FDA-approved silicone

*Standard set of screws supplied dismantled: 4 hex-head screws + 4 slot-head screws.

CUSTOMISATION OPTIONS

Material	AISI 316L (Wnr 1.4404)
Finishes	SN Coarse satin, BA Polished, 2B Matt, coating, micro shot-peening, passivation
Thicknesses	1.2 mm*
Rear fastenings	Stud bolts
Cover	<ul style="list-style-type: none"> • Application of Lexan STD, min. enclosure dimensions 130x130 mm • Application of Lexan UL, min. enclosure dimensions 150x150 mm • Application of 3+3 glass, min. enclosure dimensions 250x250 mm • Application of cover fall-prevention system
Sides	Option of incline up to 7° on 4 sides, drilling H- 20 mm, W- 20 mm, D- 33 mm (10+23 mm)
Internal plate	Mounting on stud bolts, blind back, material A304L or A316L thickness 1.5 mm
Installation on mobile arm	Yes, with minimum depth of 110 mm
Handles	from H/W >180 mm

*To be verified during order phase

Product accessories

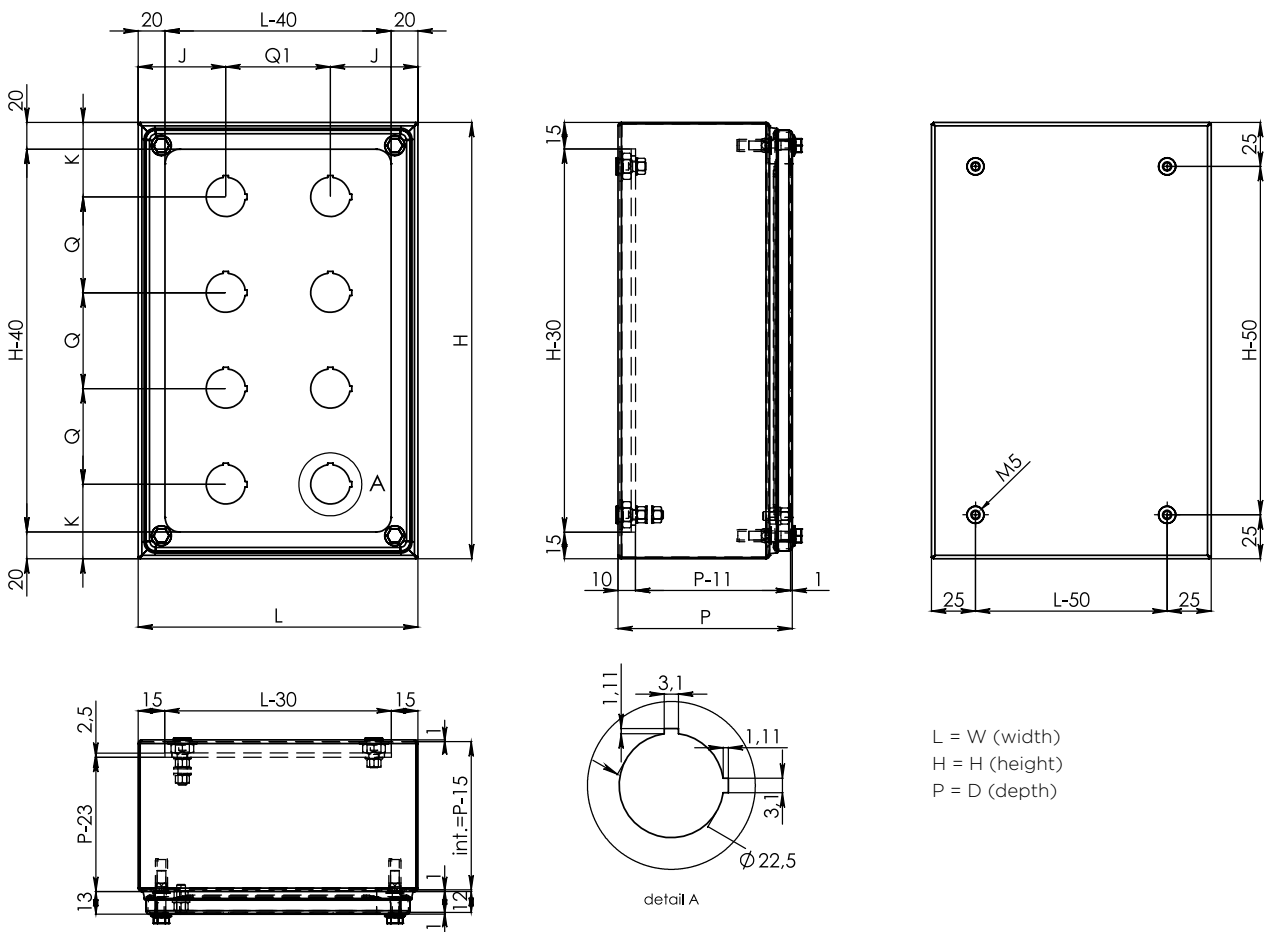
- / M5 wall-mounted spacers
- / Hygienic wall-mounted spacers
- / DIN rail support

For more accessories, please consult the section "OTHER ACCESSORIES".



PUSH BUTTON BOX APH

Push button box in AISI 304L (Wnr 1.4307) stainless steel, ideal for use in sectors requiring high standards of hygiene due to the profile design developed for easy cleaning. Screw-on cover featuring "clip-on" silicone seal, FDA approved, pre-drilled with $\varnothing 22.5$ mm holes. No internal plate. IP66 protection rating. IP67, IP69K and UL also available on request.



CERTIFICATIONS

As standard	IP66
On request	IP67 - IP69K - Atex 3GD - Atex 2GD - UKCA Ex UL/CSA

TECHNICAL DETAILS

Minimum dimensions	W= 80 mm H= 80 mm D= 60 mm
Maximum dimensions	W= 400 mm H= 400 mm D= 200 mm
Dimensional pitch	10 mm
Door drilling reference	W- 40 mm H- 40 mm
Internal plate	Not present
Usable depth	D- 11 mm
Centre-to-centre distance for securing enclosure	H- 30 mm up to short side 100 mm (2 M5 bushes) H- 50 mm for enclosures with sides > 100 mm (4 M5 bushes)

TECHNICAL DESCRIPTION

Type of steel	AISI 304L (Wnr 1.4307) Scotch-brite
Cover spacers	The cover has a thickness of 10/10 when WxH is below 80,000 mm ² ; beyond this size the thickness is 12/10.
Cover	Drilled for buttons
Cover opening	Detachable
Closing system	Screwed-on, M5*
Cover thickness	1 mm
Rear fastenings	M5 bushes
Internal plate	25/10 FeZn
Seal	FDA-approved silicone

*Standard set of screws supplied dismantled: 4 hex-head screws + 4 slot-head screws.

CUSTOMISATION OPTIONS

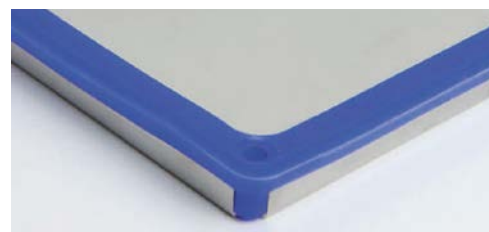
Material	AISI 316L (Wnr 1.4404)
Finishes	SN Coarse satin, BA Polished, 2B Matt, coating, micro shot-peening, passivation
Thicknesses	1.2 mm*
Rear fastenings	Stud bolts
Cover	No. of button holes on request with limitations, drilling W- 40 mm H- 40 mm Application of cover fall-prevention system
Sides	Option of incline up to 7° on 4 sides, drilling H- 20 mm, W- 20 mm, D- 33 mm (10+23 mm)
Internal plate	<ul style="list-style-type: none"> • Can be applied when at least one side is greater than 100 mm • W- 30 mm H- 15 mm for enclosures with sides < 100 mm (2 bushes) • W- 30 mm H- 30 mm for enclosures with sides > 100 mm (4 bushes) • Standard mounting on M5 bushes • Mounting on stud bolts, blind back • Material A304L or A316L, thickness 1.5 mm
Configuration for assembly of mobile arm	Yes
Minimum depth depending on joint fitted	110 mm
Handles	from H/W >180 mm

*To be verified during order phase

Product accessories

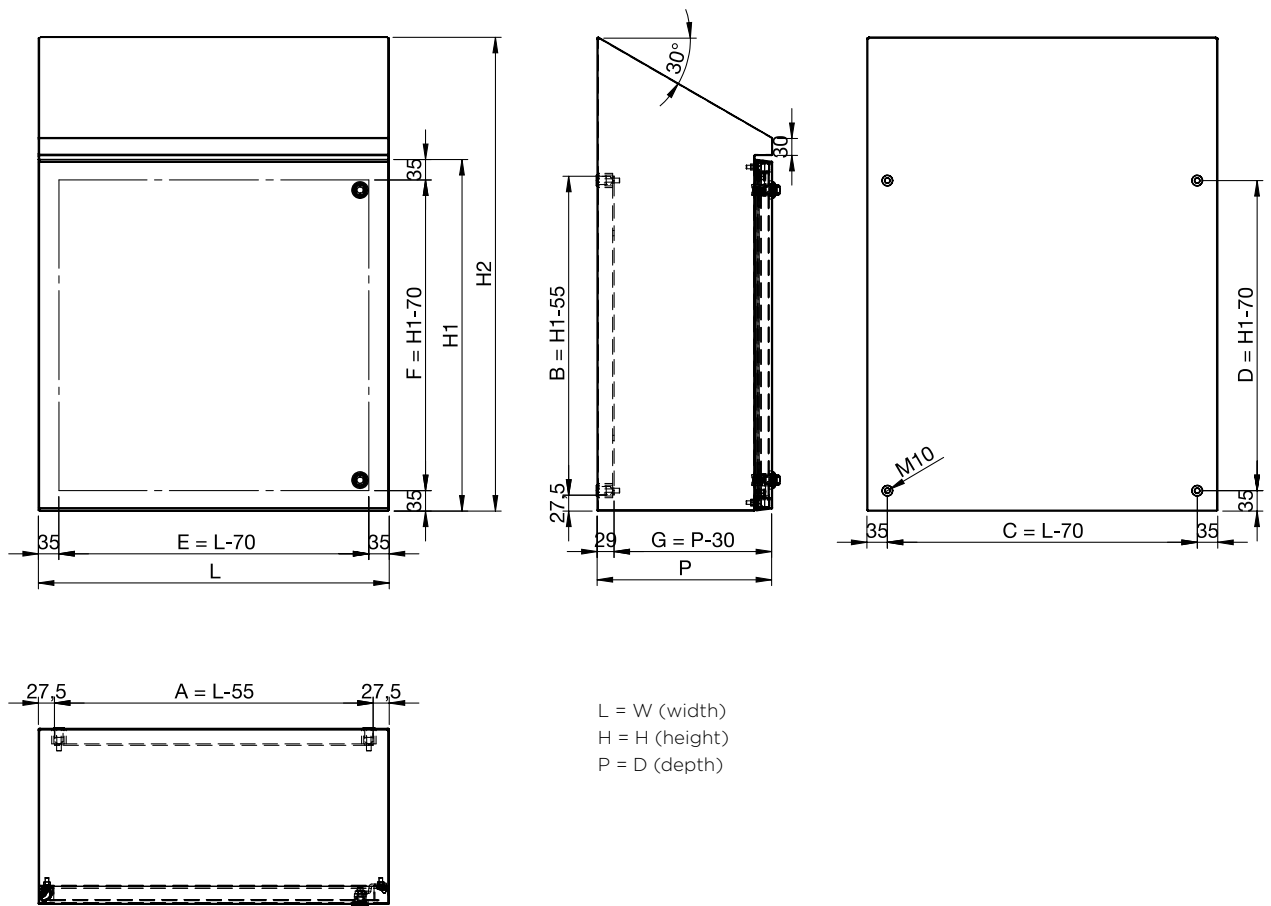
- / Flat wall brackets
- / Raised wall brackets
- / M5 wall-mounted spacers
- / Hygienic wall-mounted spacers
- / Cable input gland plate
- / Pedestal model PD3210
- / DIN rail support

For more accessories, please consult the section "OTHER ACCESSORIES".



ENCLOSURE WITH SLOPING TOP AND RECESSED DOOR EKOH

Enclosure in AISI 304L (Wnr 1.4307) stainless steel.
Hinged blind door with unfolded, sloping edges and hygienic AISI 316 stainless-steel lock.
Door opening: 130° with left hinges. Features sloping top for easy cleaning and to avoid objects being placed on unit.
25/10 FeZn internal plate. IP66 protection rating.



CERTIFICATIONS

As standard

Single door: IP66 IK10 / Double door: IP55

On request

Single door: IP69K - UL - ATEX 3GD

TECHNICAL DETAILS

Minimum dimensions	W= 200 mm H1= 200 mm D= 120 mm
Maximum dimensions	Single door: W= 1000 mm H= 1600 mm D= 600 mm Double door: W= 1600 mm H= 1450 mm D= 600 mm or W= 1450 mm H= 1600 mm D= 600 mm
Dimensional pitch	10 mm
Door drilling reference	W- 70 mm H1- 70 mm
Internal plate	W- 55 mm H- 55 mm for enclosures with at least one side \leq 1000 mm, W- 45 mm for enclosures with at least one side $>$ 1000 mm ($>$ 4 bushes)
Usable depth	D- 20 mm
Centre-to-centre distance for securing enclosure	Nominal H- 70 W- 70 mm, M10 bushes. The number of fastenings vary based on combinations of dimensions

TECHNICAL DESCRIPTION

Type of steel	AISI 304L Scotch-brite
Door spacers	1.2 mm and 1.5 mm depending on the size
Door	Hinged Blind door with lower and upper sides sloping 7° 2 mm or 1.5 mm thickness in addition to reinforcing frame depending on dimensions
Door opening	130°
Closing system	A316 hygienic stainless-steel lock, 1/4 turn with key
Cover thickness	1.2 mm and 1.5 mm depending on the size
Rear fastenings	M10 bushes
Internal plate	FeZn 2.5 mm
Seal	FDA-approved silicone

CUSTOMISATION OPTIONS

Material	AISI 316L, A316 titanium
Finishes	SN Coarse satin, BA Polished, 2B Matt, coating, micro shot-peening, passivation
Thicknesses	2 mm or 3 mm
Rear fastenings	Stud bolts, on request without fastenings
Door	Lexan, 3+3 glass, closure with screws
Sides	Application of cable gland plate on sides, top and bottom, dimensions H- 20 mm W- 20 mm D- 40 mm (10+30 mm) on sloping top H- 40 mm W- 40 mm
Internal plate	Mounting on stud bolts (blind back) A304L or A316L, thickness 1.5 mm
Seal	Polyurethane
Different top incline	10° / 20° / 30°
Components on request	A316 hardware

Product accessories

- / M10 wall-mounted spacers
- / Hygienic wall-mounted spacers
- / LED and micro support
- / DIN rail support
- / FPDH hygienic protection window
- / SBVH hygienic arm support

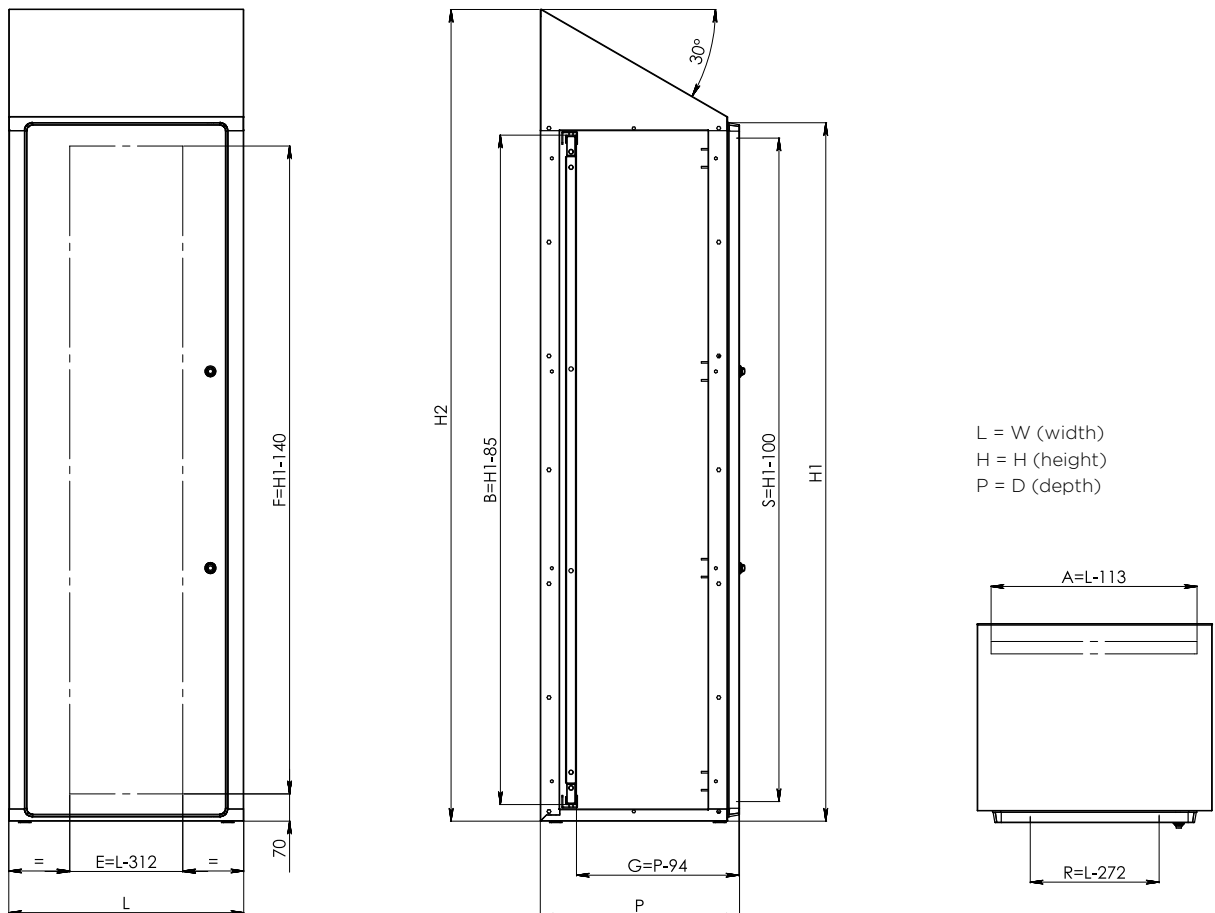
For more accessories, please consult the section "OTHER ACCESSORIES".



MODULAR CABINET AZH

Cabinet in AISI 304L (Wnr 1.4307) stainless steel with FeZn internal plate.

30° sloping top. Cabinet rear completely flat and without cavities. Cabinet has no concaves, for easy cleaning and to avoid any deposits. Detachable side panels with hygienic screws. FDA-approved removable outer silicone seal. Inner drip-proof edge. Inner hinges. New-generation hygienic closures in stainless steel with outer seal and closure system with inner rods. Can be combined with a hygienic frame or cable plinth below, both with certified-hygienic feet.



CERTIFICATIONS

As standard	IP66 - IP69K
On request	UL

TECHNICAL DETAILS

Minimum dimensions	W= 200 mm H1= 1200 mm D= 300 mm
Maximum dimensions	W= 1300 mm H1= 2000 mm D= 600 mm
Dimensional pitch	50 mm
Door drilling reference	W- 312 mm H1- 140 mm
Internal plate	FeZn 2.5 mm W- 113 mm H1- 85 mm
Usable depth	D- 94 mm

TECHNICAL DESCRIPTION

Type of steel	AISI 304L Scotch-brite
Door spacers	1.5 mm
Door	Blind, rotation inside shoulder, non-reversible
Door fastening	Hinged with frame for $W \geq 550$ mm
Door opening	115°
Frame	Pre-drilled 20 mm x 20 mm pipe mounted with stud bolts and joining corner element for earthing
Closing system	Hygienic stainless-steel lock, 1/4 turn
Cover thickness	1.5 mm
Sides	Screwed on
Internal plate	FeZn 2.5 mm
Top	Inclined 30°
Seal	FDA-approved silicone

CUSTOMISATION OPTIONS

Material	AISI 316L
Door	Right hinges
Different top incline	10° / 20° / 30°
Internal plate	Not present or A304L/A316L thickness 1.5 mm

Product accessories

- / Hygienic feet
- / Plinth with hygienic feet
- / Base with hygienic feet
- / FPDH hygienic protection window
- / SBVH hygienic arm support
- / Hygienic wall-mounted spacers

For more accessories, please consult the section "OTHER ACCESSORIES".



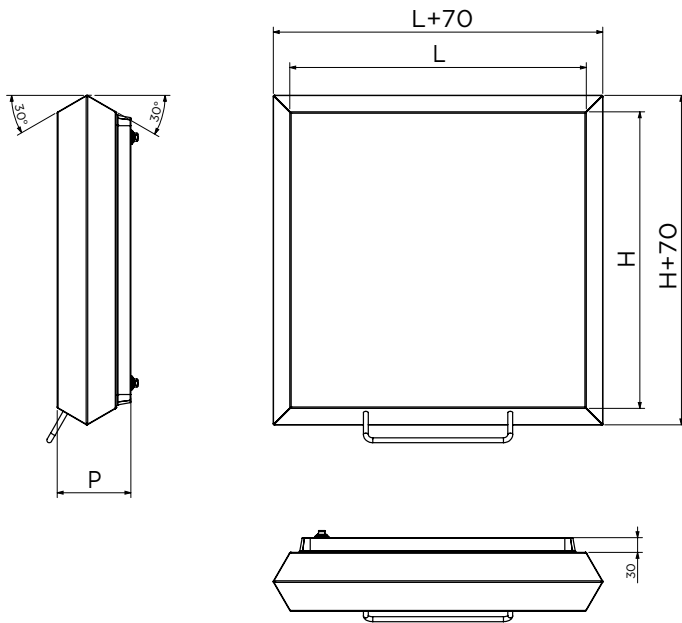
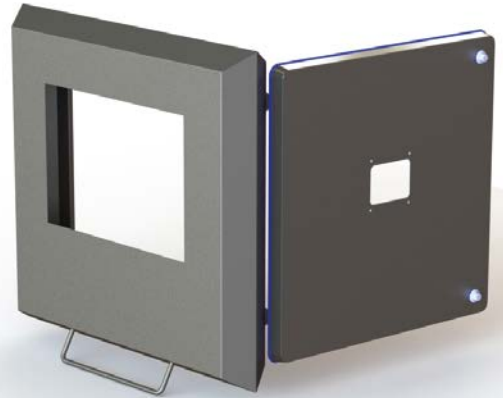
HYGIENIC LINE

HYGIENIC HANGING CONTROL UNIT EKOPH

Hanging control unit in AISI 304L (Wnr 1.4307) stainless steel with rounded profiles, ready to mount arm support. Rear door with 110° opening on left hinges and hygienic stainless-steel locks with outer seal.

Manoeuvring handle may be applied on lower side.

No internal plate. IP66 and IP69K protection rating.



L = W (width)
H = H (height)
P = D (depth)



CERTIFICATIONS

As standard

IP66, IP69K, UL/CSA

TECHNICAL DETAILS

Minimum dimensions	W= 250 mm H= 300 mm D= 100 mm
Maximum dimensions	W= 600 mm H= 600 mm D= 200 mm
Dimensional pitch	10 mm
Front drilling reference	W- 130 mm H- 80 mm
Side drilling reference	Not drillable
Internal plate	Not present
Usable depth	D- 5 mm

TECHNICAL DESCRIPTION

Type of steel	AISI 304L Scotch-brite
Door spacers	1.5 mm
Door	Rounded, left hinges, ready to mount hygienic arm support (model SBVH)
Door opening	110°
Sides	Inclined 30°
Top	Inclined, anti-dust
Cover thickness	1.5 mm
Closing system	Lock in AISI 316 stainless steel
Internal plate	Not present
Seal	FDA-approved silicone

CUSTOMISATION OPTIONS

Material	AISI 316L
Door	Right hinges
Sides	Manoeuvring handle may be applied on lower side

Product accessories

/ Arms with specific joints sized in relation to the depth and weight of the hanging unit

/ SBVH hygienic arm support

For more accessories, please consult the section "OTHER ACCESSORIES".

HYGIENIC LINE

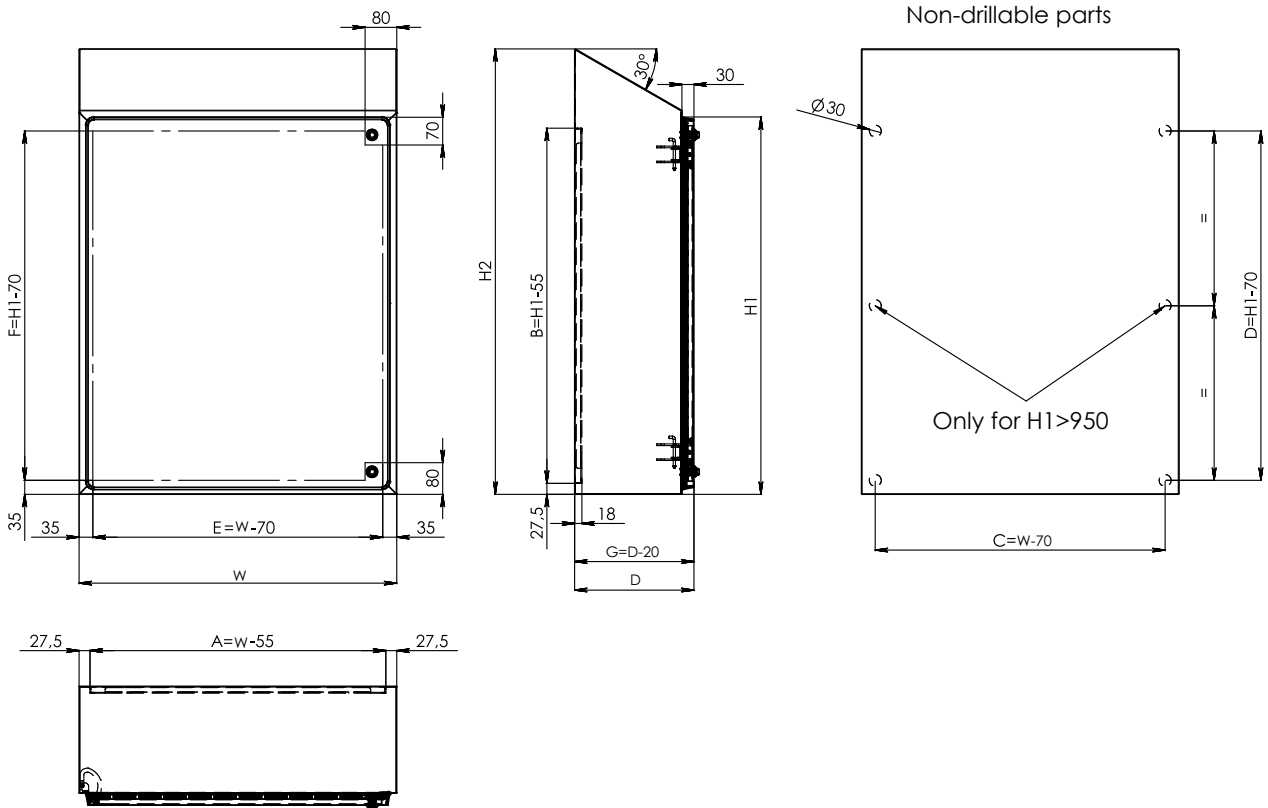
ENCLOSURE WITH HYGIENE CERTIFICATION **EKO.HY**

Enclosure in AISI 304L (Wnr 1.4307) stainless steel with inner-hinged blind door.

30° sloping top. Enclosure rear completely flat and without cavities, for easy cleaning and to avoid any deposits.

FDA-approved removable outer silicone seal. Inner drip-proof edge.

New-generation hygienic closures in stainless steel with outer seal.



CERTIFICATIONS

As standard

IP66 - IP69K

On request

UL - DGUV hygiene certification



TECHNICAL DETAILS

Minimum dimensions	W= 200 mm H1= 300 mm D= 120 mm
Maximum dimensions	W= 1400 mm H1= 1200 mm D= 500 mm
Dimensional pitch	10 mm
Door drilling reference	W- 70 mm H1- 70 mm
Internal plate	FeZn 2.5 mm W- 70 mm H1- 70 mm
Usable depth	D- 20 mm

TECHNICAL DESCRIPTION

Type of steel	AISI 304L Scotch-brite
Door spacers	1.5 mm
Door	Blind, rotation outside shoulder, non-reversible
Door fastening	Hinges
Door opening	115°
Closing system	Hygienic stainless-steel lock, 1/4 turn
Cover thickness	1.5 mm
Internal plate	FeZn 2.5 mm
Top	Inclined 30°
Seal	FDA-approved silicone

CUSTOMISATION OPTIONS

Material	AISI 316L
Rear fastenings	M6 bush, M8 bush, M10 bush
Door	Right hinges
Different top incline	10° / 20° / 30° / 40° / 45°
Internal plate	Not present or A304L/A316L thickness 1.5 mm

Product accessories

- / Hygienic wall-mounted spacers
- / FPDH hygienic protection window
- / SBVH hygienic arm support

For more accessories, please consult the section "OTHER ACCESSORIES".



HYGIENIC LINE

COMPACT CABINET WITH HYGIENE CERTIFICATION **AS.HY**

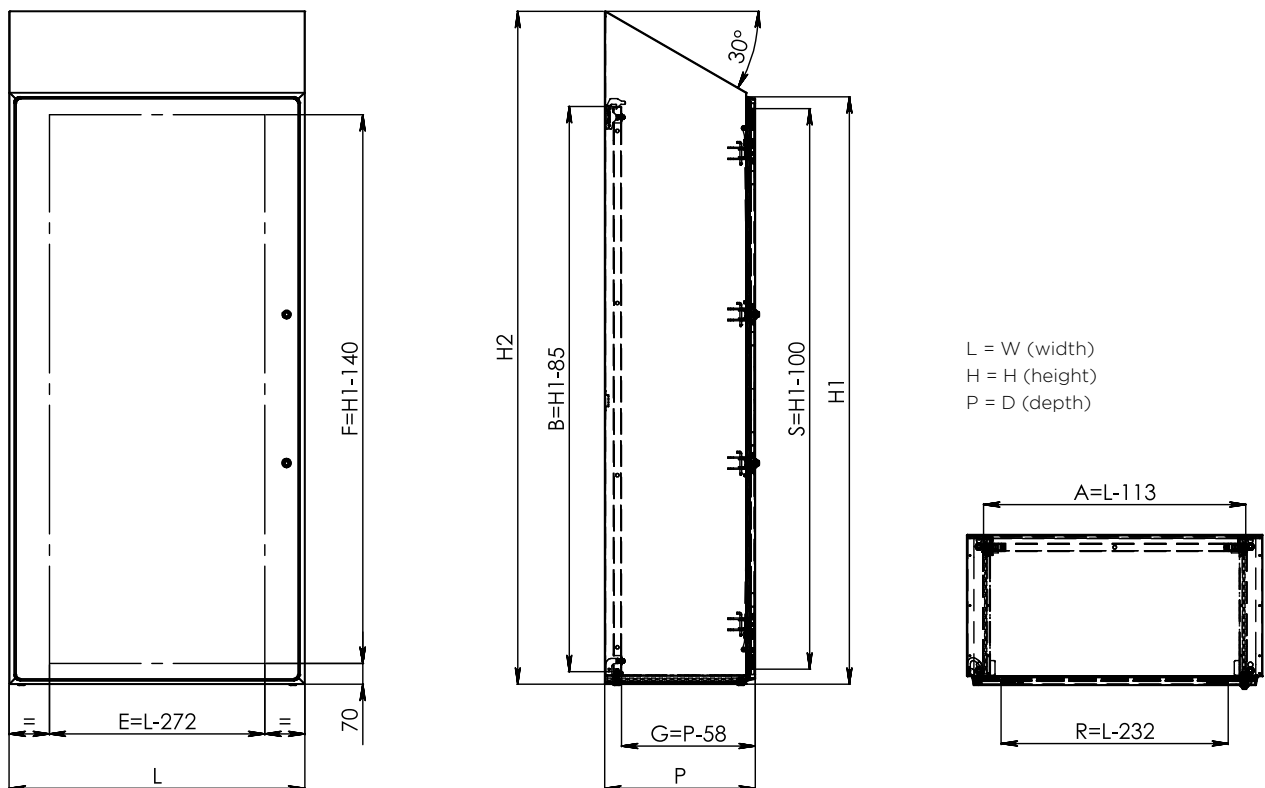
Single-body reach-in unit.

30° sloped top. Cabinet rear completely smooth and without cavities.

Cabinet has no concaves, for easy cleaning and to avoid any deposits. FDA-approved removable outer silicone seal. Inner drip-proof edge.

Inner hinges. New-generation hygienic locks in stainless steel with outer seal and internal rod locking system.

Can be combined with a hygienic frame or cable plinth below, both with certified-hygienic feet.



CERTIFICATIONS

As standard

IP66 - IP69K

On request

UL - DGUV hygiene certification



TECHNICAL DETAILS

Minimum dimensions	W= 200 mm H1= 1200 mm D= 300 mm
Maximum dimensions	W= 1400 mm H1= 2000 mm D= 500 mm
Dimensional pitch	10 mm
Door drilling reference	W- 272 mm H1- 140 mm
Internal plate	FeZn 2.5 mm W- 113 mm H1- 85 mm
Usable depth	D- 58 mm

TECHNICAL DESCRIPTION

Type of steel	AISI 304L Scotch-brite
Door spacers	1.5 mm
Door	Blind, rotation outside shoulder, non-reversible
Door fastening	Hinged with frame for $W \geq 550$ mm
Door opening	115°
Frame	Pre-drilled 20 mm x 20 mm pipe mounted with stud bolts and joining corner element for earthing
Closing system	Hygienic stainless-steel lock, 1/4 turn
Cover thickness	1.5 mm
Internal plate	FeZn 2.5 mm
Top	Inclined 30°
Seal	FDA-approved silicone

CUSTOMISATION OPTIONS

Material	AISI 316L
Door	Right hinges
Different top incline	10° / 20° / 30°
Internal plate	Not present or A304L/A316L thickness 1.5 mm

Product accessories

- / Hygienic feet
- / Plinth with hygienic feet
- / Base with hygienic feet
- / FPDH hygienic protection window
- / SBVH hygienic arm support
- / Hygienic wall-mounted spacers

For more accessories, please consult the section "OTHER ACCESSORIES".



ACCESSORIES

A wide range of accessories are available for every single standard or customised model, meeting all specific requirements.

Certain accessories require special adaptation of the product, and their application may alter the IP protection rating or affect certifications. Check when ordering.

CABLE GLAND PLATES/MODELS AS.HY AND AZH

Cable input gland plate in AISI 304L (Wnr 1.4307) stainless steel suitable for applications with cable glands. Standard set-ups with blind bottom, without cable gland plate.

Installation of the cable gland plate must be requested during quote/offer phase. Cable gland plates can be a single foam unit or swapped with guillotine cable gland plate.

SINGLE FOAM CABLE GLAND PLATE



GUILLOTINE CABLE GLAND PLATE



IRINOX provides the cable gland plate as standard for all orders of cabinets with plinth included.

EXTERIOR SET-UPS/MODELS AS.HY AND AZH

BASE WITH HYGIENIC FEET

Base in AISI 304 stainless steel, created with 30 mm-diameter tubular structure that is easy to clean. Equipped with adjustable hygienic feet for easy cleaning also under cabling cabinets.

Code	Description	Dimensions
ZY0401800400010	BASE+FEET.HY	40 40
ZY0601800400009	BASE+FEET.HY	60 40
ZY0801800400026	BASE+FEET.HY	80 40
ZY1001800400015	BASE+FEET.HY	100 40
ZY1201800400012	BASE+FEET.HY	120 40
ZY0401800500005	BASE+FEET.HY	40 50
ZY0601800500014	BASE+FEET.HY	60 50
ZY0801800500035	BASE+FEET.HY	80 50
ZY1001800500007	BASE+FEET.HY	100 50
ZY1201800500012	BASE+FEET.HY	120 50
ZY0401800600003	BASE+FEET.HY	40 60
ZY0601800600007	BASE+FEET.HY	60 60
ZY0801800600006	BASE+FEET.HY	80 60
ZY1001800600004	BASE+FEET.HY	100 60
ZY1201800600012	BASE+FEET.HY	120 60



PLINTH WITH HYGIENIC FEET

Plinth in AISI 304L stainless steel made of single sheet-metal element and closed on all sides. H 200 mm as standard, equipped with adjustable hygienic feet for easy cleaning also under cabling cabinets.

Code	Description	Dimensions
ZY0401800400009	PLINTH+FEET.HY	40 40
ZY0601800400008	PLINTH+FEET.HY	60 40
ZY0801800400025	PLINTH+FEET.HY	80 40
ZY1001800400014	PLINTH+FEET.HY	100 40
ZY1201800400022	PLINTH+FEET.HY	120 40
ZY0401800500004	PLINTH+FEET.HY	40 50
ZY0601800500013	PLINTH+FEET.HY	60 50
ZY0801800500034	PLINTH+FEET.HY	80 50
ZY1001800500006	PLINTH+FEET.HY	100 50
ZY1201800500026	PLINTH+FEET.HY	120 50
ZY0401800600002	PLINTH+FEET.HY	40 60
ZY0601800600006	PLINTH+FEET.HY	60 60
ZY0801800600005	PLINTH+FEET.HY	80 60
ZY1001800600003	PLINTH+FEET.HY	100 60
ZY1201800600011	PLINTH+FEET.HY	120 60



IRINOX provides the cable gland plate as standard for all orders of cabinets with plinth included.

Accessories must always be specified during quote and order phase.

WINDOWS

PROTECTION WINDOWS FPDH HYGIENIC DESIGN

in AISI 304L (Wnr 1.4307) stainless steel, featuring:

Transparent Lexan door
(transparent polycarbonate sheet, 4 mm thickness, resistant to UV rays).

Concealed hinges
in stainless steel that enable 110° opening angle.

Hygienic closure:
stainless-steel lock.

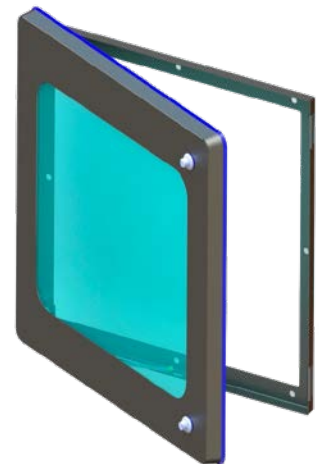
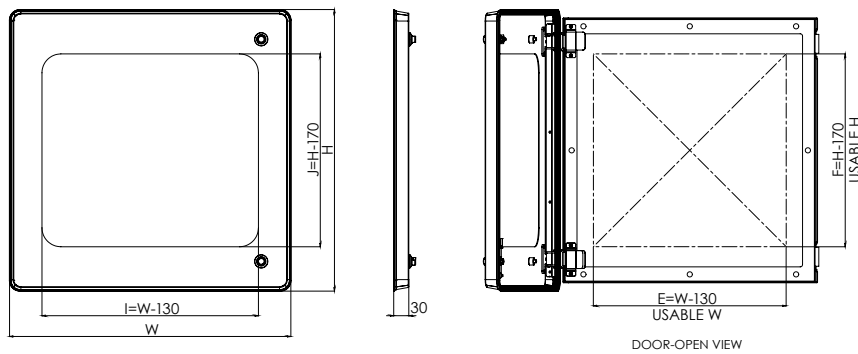
Easy cleaning and hygiene
guaranteed by the design of door with rounded corners.

FDA-approved **silicone seal** guaranteeing optimal performance and easy cleaning.

cURus certification (with transparent polycarbonate sheet, 4 mm thickness, with UL approval).

On request: customised dimensions, manufacture in AISI 316L (Wnr 1.4404) stainless steel, stainless-steel locks.

IP66 and IP69K protection rating.



Model	Code	External dimensions in mm			LEXAN opening		Usable area	
		W	H	D	I	J	E	F
FPDH 50 50	FY0500500030001	500	500	30	380	330	380	330
FPDH 50 60	FY0500600030001	500	600	30	380	430	380	430
FPDH 60 50	FY0600500030001	600	500	30	480	330	480	330
FPDH 60 60	FY0600600030001	600	600	30	480	430	480	430

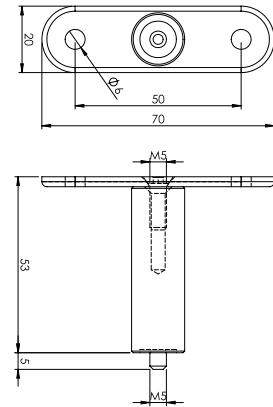
Tables list the most popular models. IRINOX can produce FPDH windows with a spacing of 10 mm, minimum dimensions of 300 mm x 300 mm x 30 mm, and maximum dimensions of 600 mm x 600 mm x 30 mm.

SPACERS

M5 WALL-MOUNTED SUPPORT SPACERS

Code	Description
Q4SV00023500195	Support spacers in AISI 304L (Wnr 1.4307) stainless-steel for M5 screws. Kit with 2 wall-mounted spacers.

Only compatible with ADH and APH.

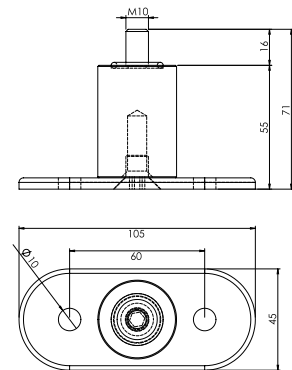


M10 WALL-MOUNTED SPACERS

Stainless-steel support spacers for M10 bushes.

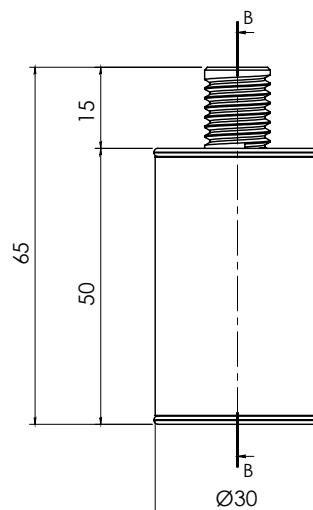
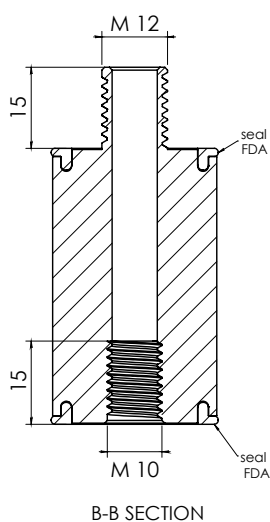
Code	Description
Q4SV00023500199	Kit with 4 stainless-steel brackets.

Only compatible with EKOH.



HYGIENIC SPACERS

Hygienic spacers in AISI 304 (Wnr 1.4301) stainless steel with double FDA-approved silicone seal.



Code	Description
Q4SV00023501020	Kit with 1 spacer, series HY H=50

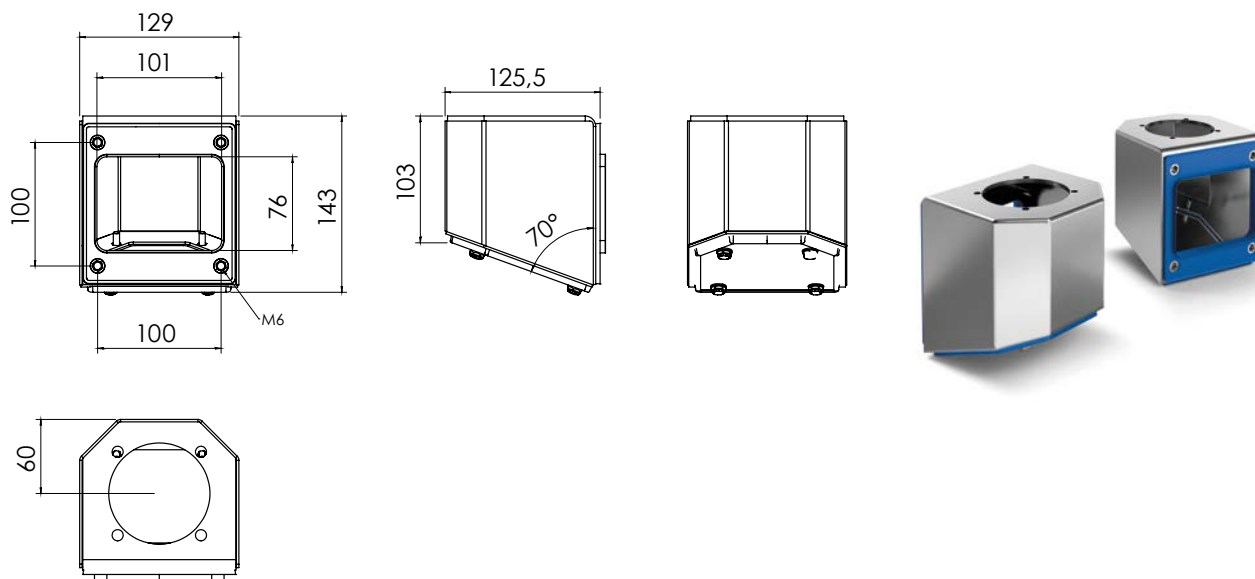
Can only be applied to products after drilling rear of the product.

Accessories must always be specified during quote and order phase.



SUPPORTS

SBVH HYGIENIC ARM SUPPORT

Hygienic support for arm in AISI 304L (Wnr 1.4301) stainless steel with FDA-approved silicone seal.
Can be mounted on the wall, on machinery or on EKOPH hanging control unit (key accessory for this product).
Cover with seal on lower section, mounted using screws with FDA-approved O-rings on under-head.
Supplied with seal for attaching joining on wall, including cut-proof profile to protect cables.
Fastening with M6 screws. IP66 and IP69K guaranteed protection ratings. UR certification.
Compatible with SGG21 110 and SGG21 94 joints, to be specified in order phase.



CLOSURE SYSTEMS

Code	Description
013707200	Hygienic AISI 316 (Wnr 1.4404) stainless-steel closure with budget lock. 
013706710	Hygienic Key with budget lock. 

Алматы (7273)495-231
Ангарск (3955)60-70-56
Архангельск (8182)63-90-72
Астрахань (8512)99-46-04
Барнаул (3852)73-04-60
Белгород (4722)40-23-64
Благовещенск (4162)22-76-07
Брянск (4832)59-03-52
Владивосток (423)249-28-31
Владикавказ (8672)28-90-48
Владимир (4922)49-43-18
Вологда (8172)26-41-59
Воронеж (473)204-51-73
Екатеринбург (343)384-55-89

Иваново (4932)77-34-06
Ижевск (3412)26-03-58
Иркутск (395)279-98-46
Казань (843)206-01-48
Калининград (4012)72-03-81
Калуга (4842)92-23-67
Кемерово (3842)65-04-62
Киров (8332)68-02-04
Коломна (4966)23-41-49
Кострома (4942)77-07-48
Краснодар (861)203-40-90
Красноярск (391)204-63-61
Курск (4712)77-13-04
Курган (3522)50-90-47
Липецк (4742)52-20-81

Магнитогорск (3519)55-03-13
Москва (495)268-04-70
Мурманск (8152)59-64-93
Набережные Челны (8552)20-53-41
Нижний Новгород (831)429-08-12
Новокузнецк (3843)20-46-81
Ноябрьск (3496)41-32-12
Новосибирск (383)227-86-73
Омск (3812)21-46-40
Орел (4862)44-53-42
Оренбург (3532)37-68-04
Пенза (8412)22-31-16
Петрозаводск (8142)55-98-37
Псков (8112)59-10-37
Пермь (342)205-81-47

Ростов-на-Дону (863)308-18-15
Рязань (4912)46-61-64
Самара (846)206-03-16
Санкт-Петербург (812)309-46-40
Саратов (845)249-38-78
Севастополь (8692)22-31-93
Саранск (8342)22-96-24
Симферополь (3652)67-13-56
Смоленск (4812)29-41-54
Орел (4862)44-53-42
Сочи (862)225-72-31
Ставрополь (8652)20-65-13
Сургут (3462)77-98-35
Сыктывкар (8212)25-95-17
Тамбов (4752)50-40-97
Тверь (4822)63-31-35

Тольятти (8482)63-91-07
Томск (3822)98-41-53
Тула (4872)33-79-87
Тюмень (3452)66-21-18
Ульяновск (8422)24-23-59
Улан-Удэ (3012)59-97-51
Уфа (347)229-48-12
Хабаровск (4212)92-98-04
Чебоксары (8352)28-53-07
Челябинск (351)202-03-61
Череповец (8202)49-02-64
Чита (3022)38-34-83
Якутск (4112)23-90-97
Ярославль (4852)69-52-93